

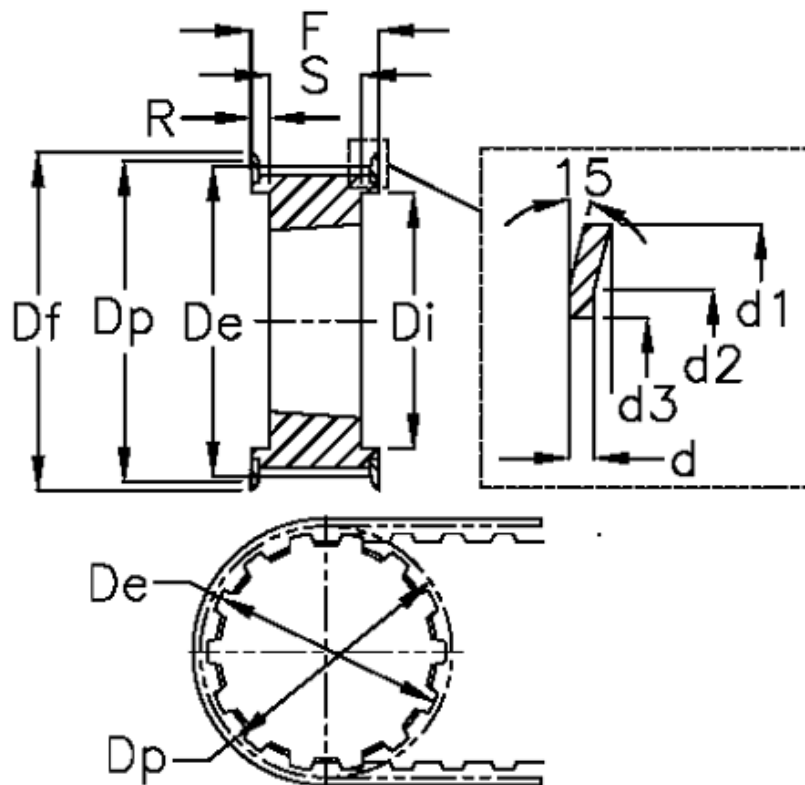
# Data Sheet



Article number: 604133040170

Description: Taper bored timing belt pulley  
HTD 40 14M 170 TL 3030

## Measures



d = 2.5	F = 187	Weight = 13
d1 = 188	Flange type = F56	Width = 170
d2 = 176	For bushing = 3030	
d3 = 150	Max bore = 75	
De = 175.49	r = 55.5	
Df = 188	S = 76	
Di = 138	Tooth number = 40	
Dp = 178.25	Type = 14M	